

NOTES:

1. INSTALLATION SHALL COMPLY WITH ALL APPLICABLE NATIONAL AND LOCAL CODES.
2. SEE PRODUCT DOCUMENTATION FOR FURTHER INFORMATION.

THIS DRAWING AND SPECIFICATIONS HEREIN ARE THE PROPERTY OF SCHNEIDER ELECTRIC AND SHALL NOT BE COPIED, REPRODUCED OR USED IN WHOLE OR IN PART, AS THE BASIS FOR THE MANUFACTURE OR SALE OF ITEMS WITHOUT WRITTEN PERMISSION FROM SCHNEIDER ELECTRIC. THIS DRAWING IS BASED UPON LATEST AVAILABLE INFORMATION AND IS SUBJECT TO CHANGE WITHOUT NOTICE.



TITLE: SMART-UPS RT (SURT)
 SRT5KRMXLI + SRT192RMBP - RACK MOUNT
 INPUT: 220/230/240V, 3W (1Ø+N+G)
 OUTPUT: 220/230/240V, (6)IEC 320 C13, (4)IEC 320 C19
 UPS ISOMETRIC VIEWS

PROJECT: DRAWING **SHEET** 1 of 11

DWG NO: SRT5KRMXLI+SRT192RMBP

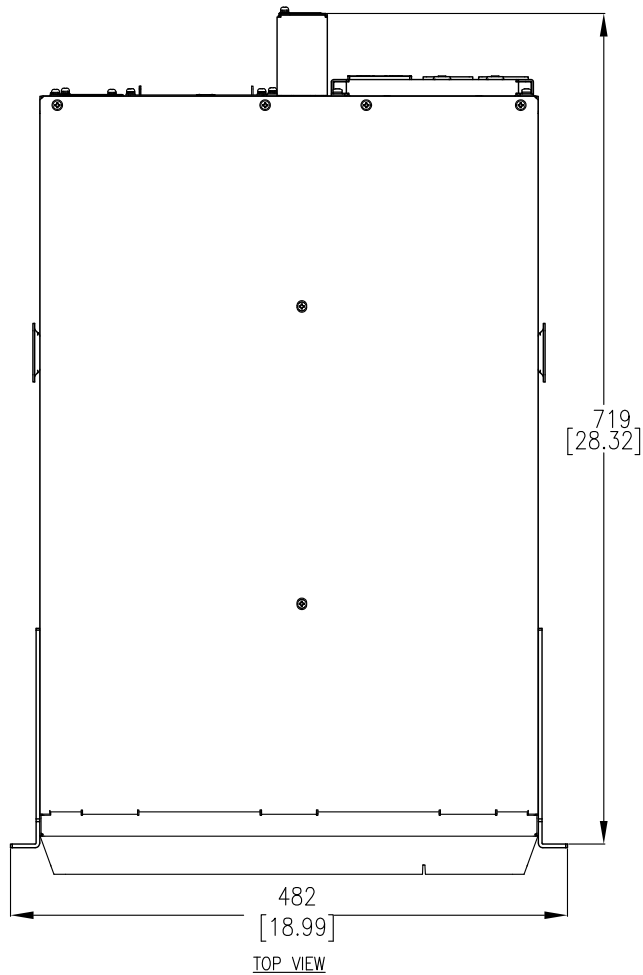
DRAWN BY: S CUNHA 28-MAY-14

ENGINEER: C KUMARSWAMY 28-MAY-14

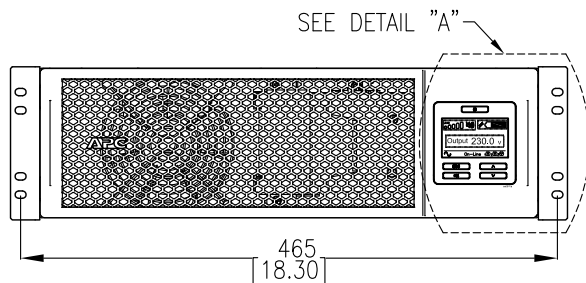
APPROVED BY: M BEG 28-MAY-14

REV 0

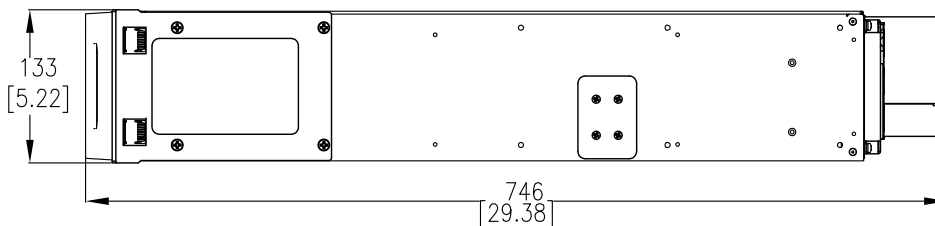
THIRD ANGLE PROJ



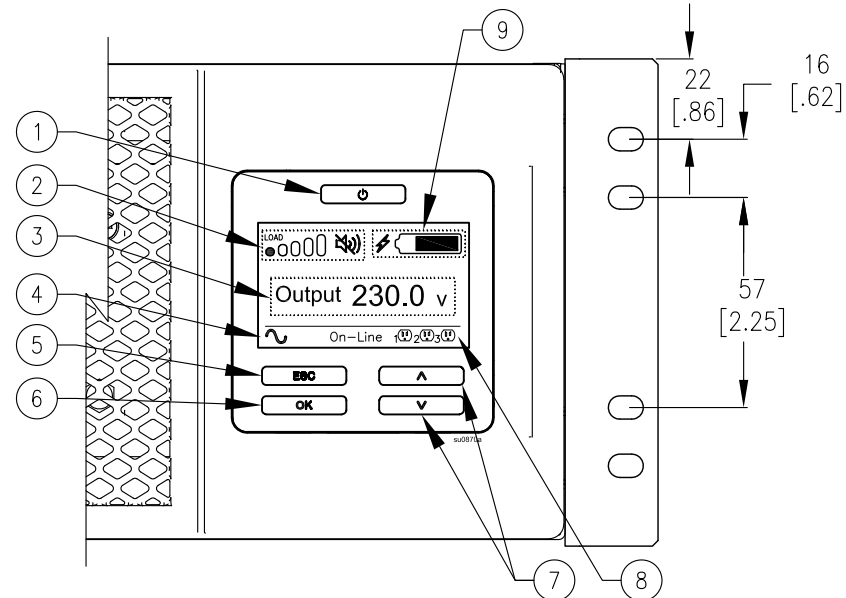
TOP VIEW



FRONT VIEW



SIDE VIEW



DETAIL "A" - ENLARGED VIEW

DISPLAY INTERFACE:

1. POWER "ON/OFF" BUTTON.
2. LOAD ICON, DISABLE/MUTE AUDIBLE ALARM ICON.
3. UPS STATUS INFORMATION.
4. OPERATION MODE ICONS.
5. "ESCAPE" BUTTON.
6. "OK" BUTTON.
7. "UP/DOWN" BUTTONS.
8. CONTROLLABLE OUTLET GROUP STATUS ICONS.
9. BATTERY STATUS ICONS.

NOTES:

1. INSTALLATION SHALL COMPLY WITH ALL APPLICABLE NATIONAL, STATE AND LOCAL CODES.
2. PLEASE REFER TO PRODUCT DOCUMENTATION FOR FURTHER INFORMATION.
3. UNLESS OTHERWISE SPECIFIED, ALL DIMENSIONS ARE IN MILLIMETERS [INCHES].
4. WEIGHT OF UNIT IS 54.55 KG [120.00 LBS].
5. CABLE ENTRY FROM REAR SIDE OF UNIT.

THIS DRAWING AND SPECIFICATIONS HEREIN ARE THE PROPERTY OF SCHNEIDER ELECTRIC AND SHALL NOT BE COPIED, REPRODUCED OR USED IN WHOLE OR IN PART, AS THE BASIS FOR THE MANUFACTURE OR SALE OF ITEMS WITHOUT WRITTEN PERMISSION FROM SCHNEIDER ELECTRIC. THIS DRAWING IS BASED UPON LATEST AVAILABLE INFORMATION AND IS SUBJECT TO CHANGE WITHOUT NOTICE.



TITLE: SMART-UPS RT (SURT)
SRT5KRMXLI + SRT192RMBP - RACK MOUNT
INPUT: 220/230/240V, 3W (1Ø+N+G)
OUTPUT: 220/230/240V, (6)IEC 320 C13, (4)IEC 320 C19
UPS MAIN MECHANICAL

PROJECT: DRAWING SHEET 2 of 11

DWG NO: SRT5KRMXLI+SRT192RMBP

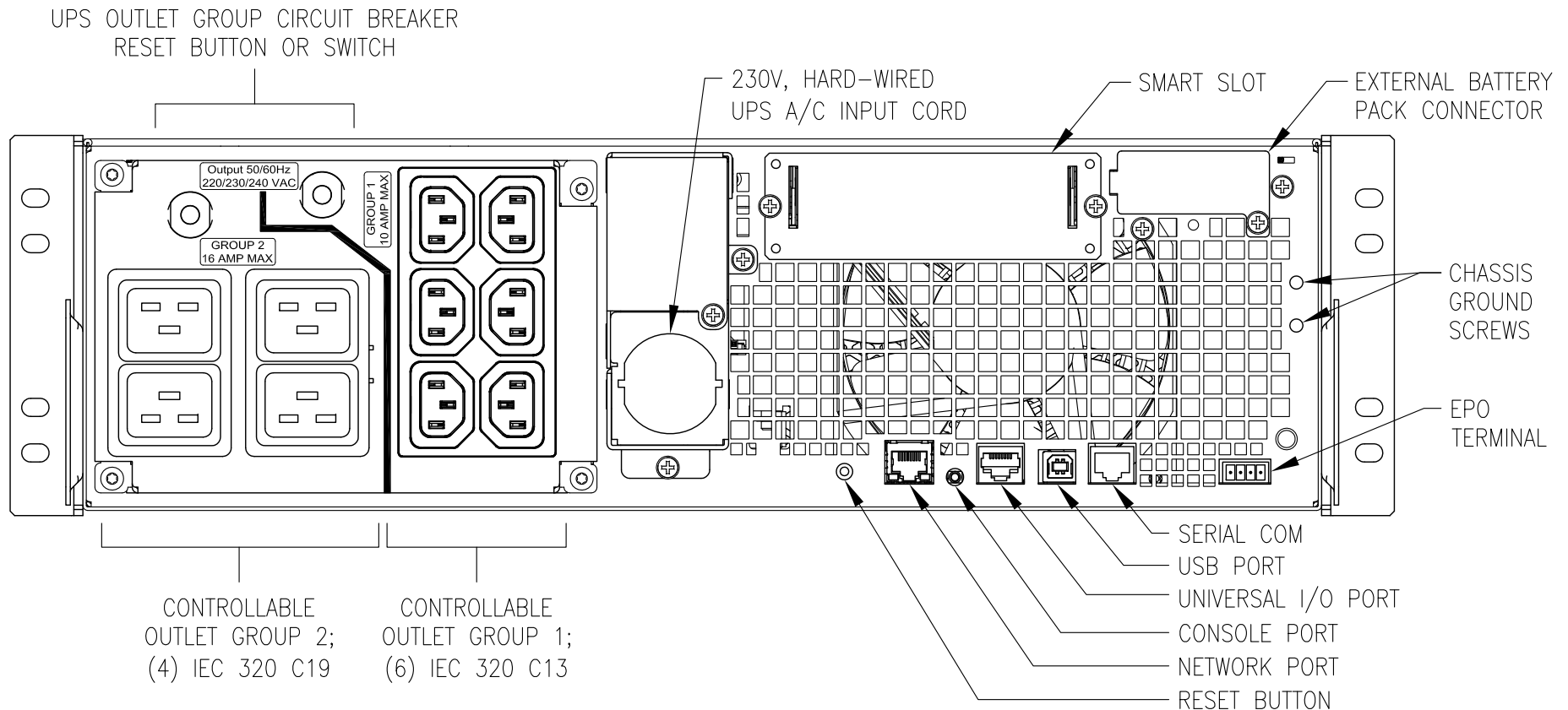
DRAWN BY: S CUNHA 28-MAY-14

ENGINEER: C KUMARSWAMY 28-MAY-14

APPROVED BY: M BEG 28-MAY-14

REV 0

THIRD ANGLE PROJ



REAR VIEW

NOTES:

1. INSTALLATION SHALL COMPLY WITH ALL APPLICABLE NATIONAL, STATE AND LOCAL CODES.
2. PLEASE REFER TO PRODUCT DOCUMENTATION FOR FURTHER INFORMATION.

THIS DRAWING AND SPECIFICATIONS HEREIN ARE THE PROPERTY OF SCHNEIDER ELECTRIC AND SHALL NOT BE COPIED, REPRODUCED OR USED IN WHOLE OR IN PART, AS THE BASIS FOR THE MANUFACTURE OR SALE OF ITEMS WITHOUT WRITTEN PERMISSION FROM SCHNEIDER ELECTRIC. THIS DRAWING IS BASED UPON LATEST AVAILABLE INFORMATION AND IS SUBJECT TO CHANGE WITHOUT NOTICE.

Schneider
Electric

TITLE: SMART-UPS RT (SURT)
SRT5KRMXLI + SRT192RMBP - RACK MOUNT
INPUT: 220/230/240V, 3W (1Ø+N+G)
OUTPUT: 220/230/240V, (6)IEC 320 C13, (4)IEC 320 C19
UPS REAR VIEW

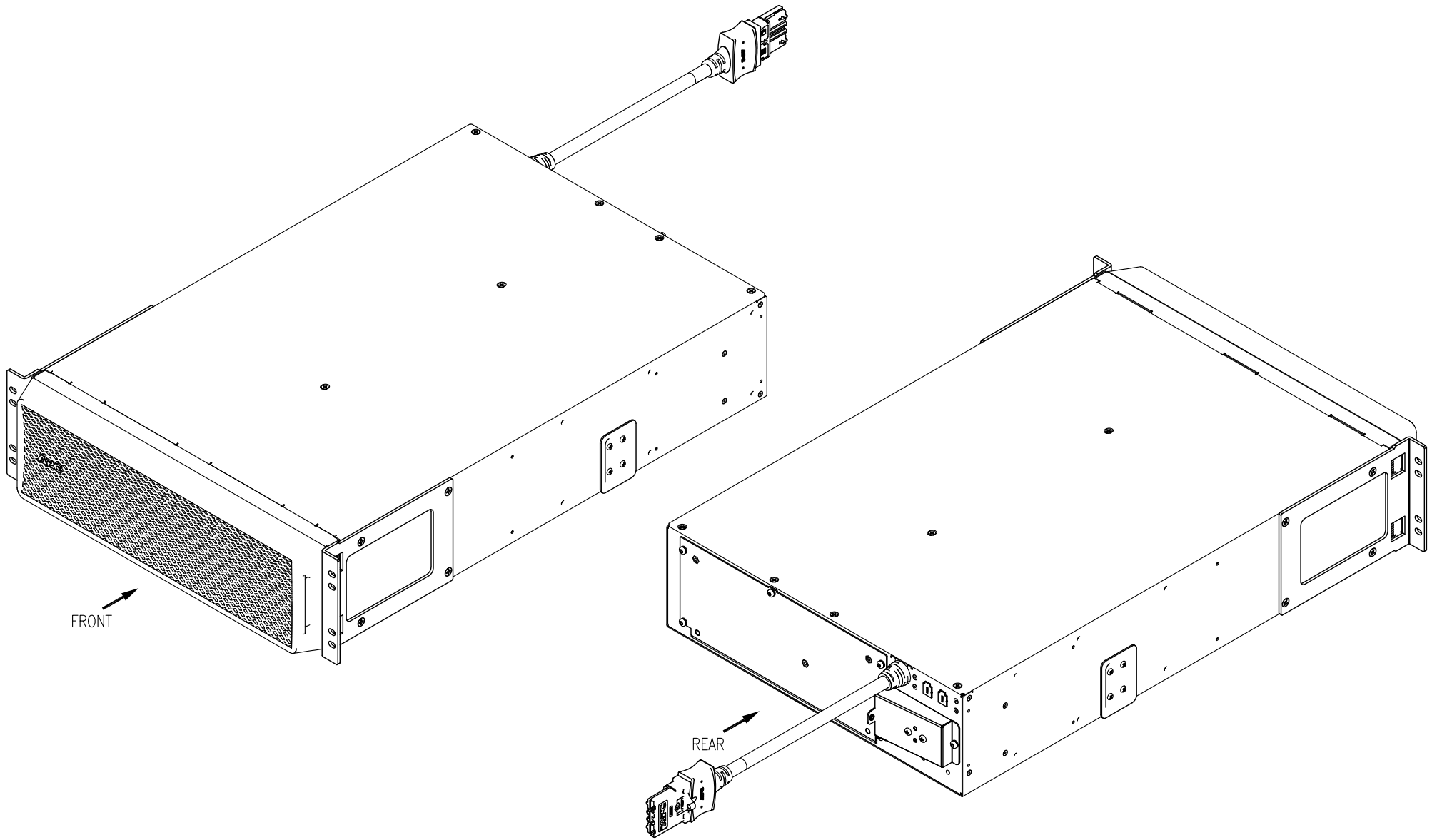
PROJECT: DRAWING SHEET 3 of 11

DWG NO: SRT5KRMXLI+SRT192RMBP

DRAWN BY: S CUNHA	28-MAY-14
ENGINEER: C KUMARSWAMY	28-MAY-14
APPROVED BY: M BEG	28-MAY-14

REV 0

THIRD
ANGLE
PROJ



NOTES:

1. INSTALLATION SHALL COMPLY WITH ALL APPLICABLE NATIONAL AND LOCAL CODES.
2. SEE PRODUCT DOCUMENTATION FOR FURTHER INFORMATION.

THIS DRAWING AND SPECIFICATIONS HEREIN ARE THE PROPERTY OF SCHNEIDER ELECTRIC AND SHALL NOT BE COPIED, REPRODUCED OR USED IN WHOLE OR IN PART, AS THE BASIS FOR THE MANUFACTURE OR SALE OF ITEMS WITHOUT WRITTEN PERMISSION FROM SCHNEIDER ELECTRIC. THIS DRAWING IS BASED UPON LATEST AVAILABLE INFORMATION AND IS SUBJECT TO CHANGE WITHOUT NOTICE.



TITLE: SMART-UPS RT (SURT)
 SRT5KRMXLI + SRT192RMBP - RACK MOUNT
 INPUT: 220/230/240V, 3W (1Ø+N+G)
 OUTPUT: 220/230/240V, (6)IEC 320 C13, (4)IEC 320 C19
 XBP ISOMETRIC VIEWS

PROJECT: DRAWING SHEET 4 of 11

DWG NO: SRT5KRMXLI+SRT192RMBP

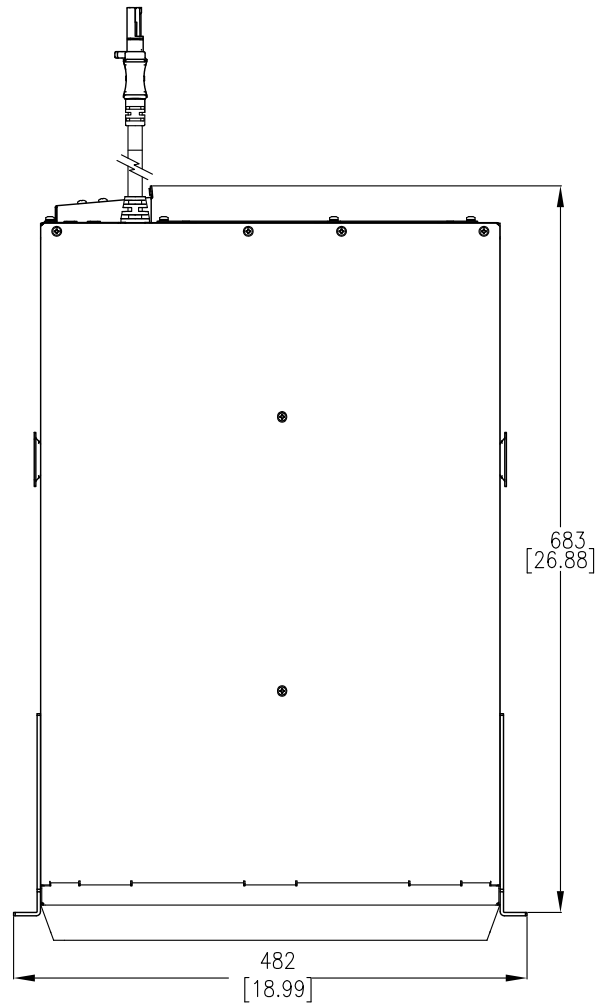
DRAWN BY: S CUNHA 28-MAY-14

ENGINEER: C KUMARSWAMY 28-MAY-14

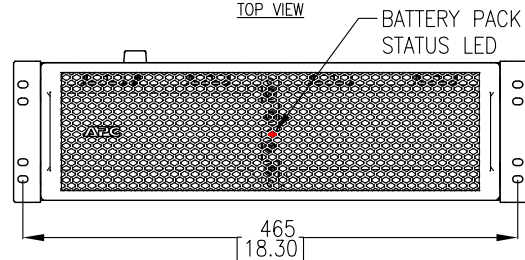
APPROVED BY: M BEG 28-MAY-14

REV 0

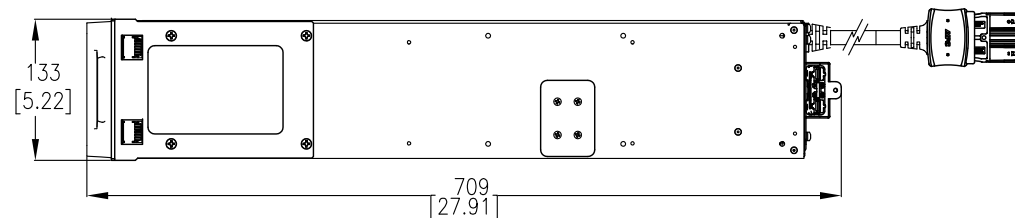
THIRD ANGLE PROJ



TOP VIEW



FRONT VIEW



SIDE VIEW

NOTES:

1. INSTALLATION SHALL COMPLY WITH ALL APPLICABLE NATIONAL, STATE AND LOCAL CODES.
2. PLEASE REFER TO PRODUCT DOCUMENTATION FOR FURTHER INFORMATION.
3. UNLESS OTHERWISE SPECIFIED, ALL DIMENSIONS ARE IN MILLIMETERS [INCHES].
4. WEIGHT OF UNIT IS 91.00 KG [200.20 LBS].
5. CABLE ENTRY FROM REAR SIDE OF UNIT.

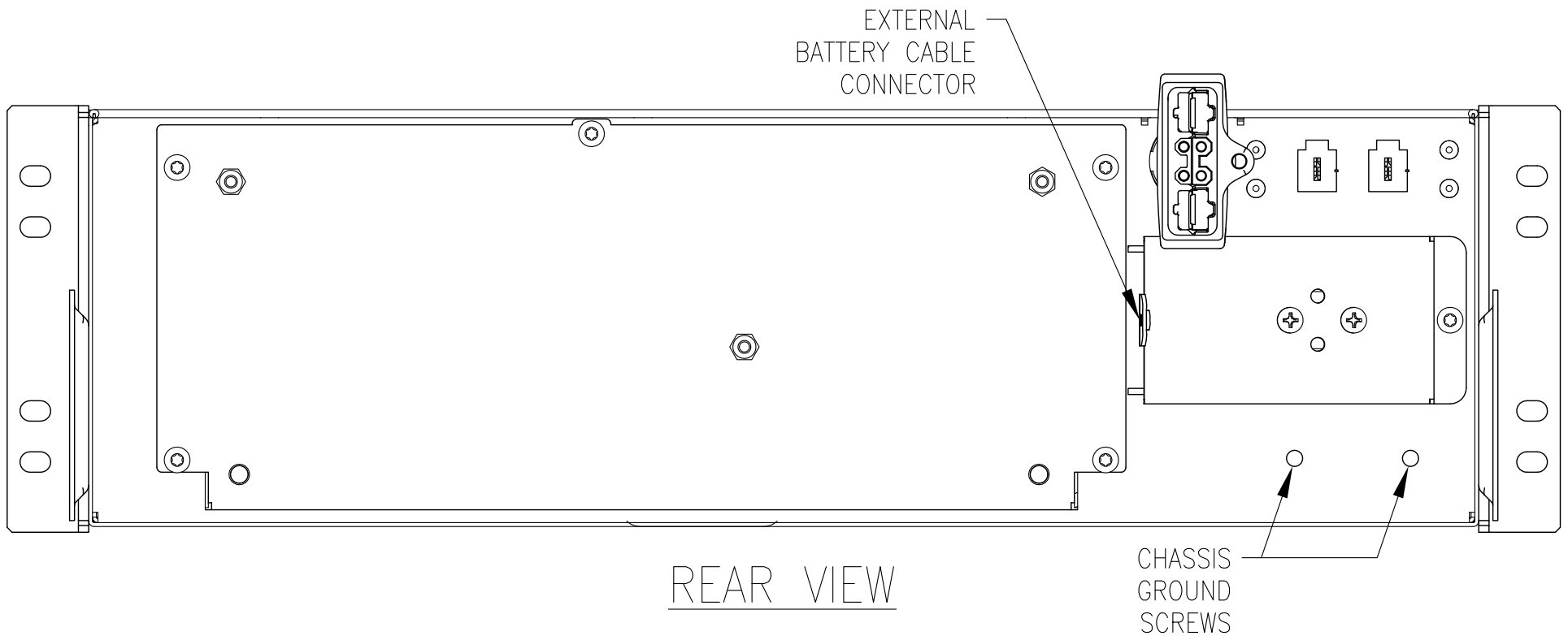
THIS DRAWING AND SPECIFICATIONS HEREIN ARE THE PROPERTY OF SCHNEIDER ELECTRIC AND SHALL NOT BE COPIED, REPRODUCED OR USED IN WHOLE OR IN PART, AS THE BASIS FOR THE MANUFACTURE OR SALE OF ITEMS WITHOUT WRITTEN PERMISSION FROM SCHNEIDER ELECTRIC. THIS DRAWING IS BASED UPON LATEST AVAILABLE INFORMATION AND IS SUBJECT TO CHANGE WITHOUT NOTICE.



TITLE: SMART-UPS RT (SURT)
 SRT5KRMXLI + SRT192RMBP - RACK MOUNT
 INPUT: 220/230/240V, 3W (1Ø+N+G)
 OUTPUT: 220/230/240V, (6)IEC 320 C13, (4)IEC 320 C19
 XBP MAIN MECHANICAL

PROJECT: DRAWING SHEET 5 of 11

DWG NO: SRT5KRMXLI+SRT192RMBP		REV 0
DRAWN BY: S CUNHA	28-MAY-14	THIRD ANGLE PROJ
ENGINEER: C KUMARSWAMY	28-MAY-14	
APPROVED BY: M BEG	28-MAY-14	



NOTES:

1. INSTALLATION SHALL COMPLY WITH ALL APPLICABLE NATIONAL, STATE AND LOCAL CODES.
2. PLEASE REFER TO PRODUCT DOCUMENTATION FOR FURTHER INFORMATION.

THIS DRAWING AND SPECIFICATIONS HEREIN ARE THE PROPERTY OF SCHNEIDER ELECTRIC AND SHALL NOT BE COPIED, REPRODUCED OR USED IN WHOLE OR IN PART, AS THE BASIS FOR THE MANUFACTURE OR SALE OF ITEMS WITHOUT WRITTEN PERMISSION FROM SCHNEIDER ELECTRIC. THIS DRAWING IS BASED UPON LATEST AVAILABLE INFORMATION AND IS SUBJECT TO CHANGE WITHOUT NOTICE.



TITLE: SMART-UPS RT (SURT)
 SRT5KRMXLI + SRT192RMBP - RACK MOUNT
 INPUT: 220/230/240V, 3W (1Ø+N+G)
 OUTPUT: 220/230/240V, (6)IEC 320 C13, (4)IEC 320 C19
 XBP REAR VIEW

PROJECT: DRAWING SHEET 6 of 11

DWG NO: SRT5KRMXLI+SRT192RMBP

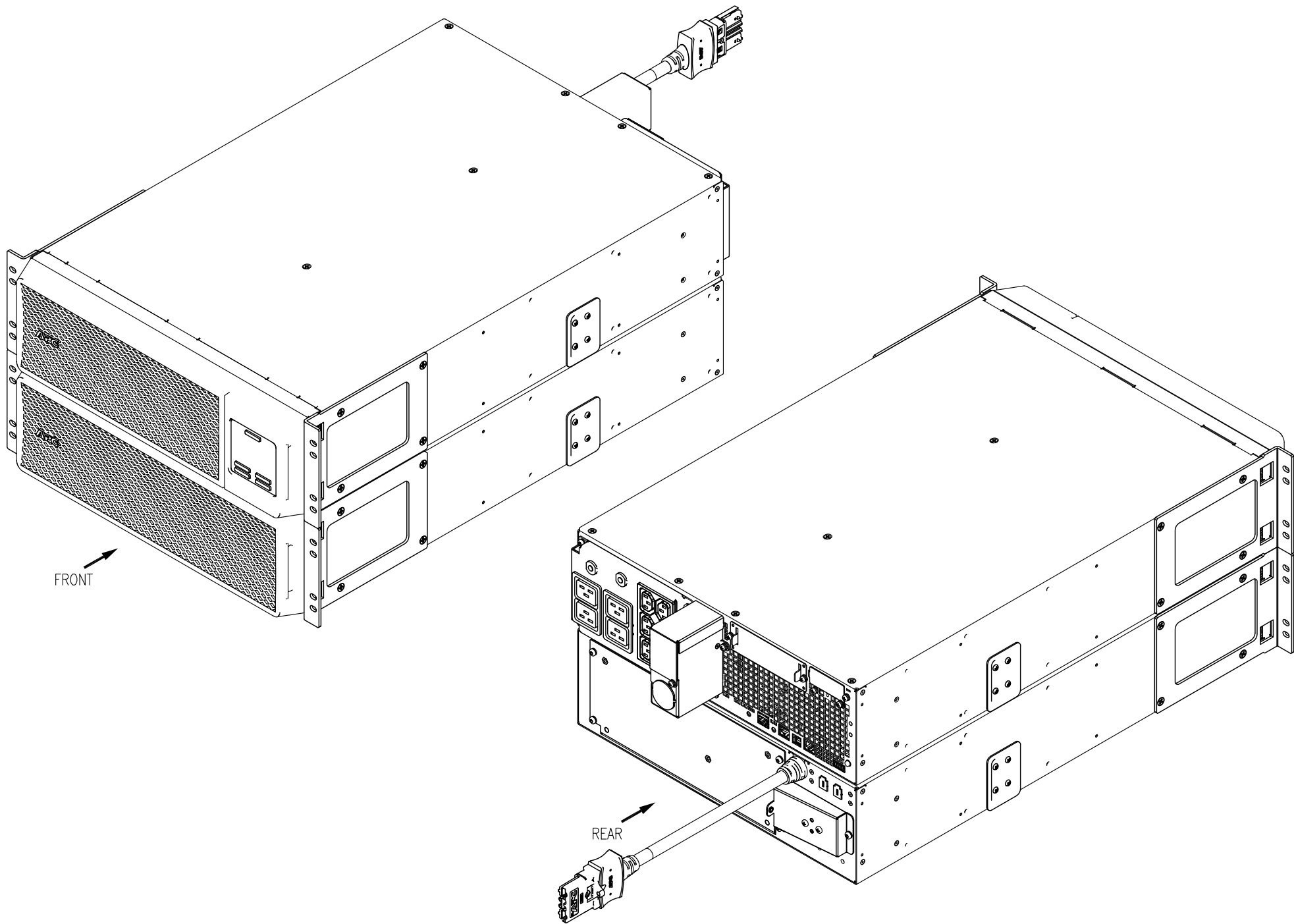
DRAWN BY: S CUNHA 28-MAY-14

ENGINEER: C KUMARSWAMY 28-MAY-14

APPROVED BY: M BEG 28-MAY-14

REV 0

THIRD ANGLE PROJ



FRONT

REAR

NOTES:

1. INSTALLATION SHALL COMPLY WITH ALL APPLICABLE NATIONAL AND LOCAL CODES.
2. SEE PRODUCT DOCUMENTATION FOR FURTHER INFORMATION.

THIS DRAWING AND SPECIFICATIONS HEREIN ARE THE PROPERTY OF SCHNEIDER ELECTRIC AND SHALL NOT BE COPIED, REPRODUCED OR USED IN WHOLE OR IN PART, AS THE BASIS FOR THE MANUFACTURE OR SALE OF ITEMS WITHOUT WRITTEN PERMISSION FROM SCHNEIDER ELECTRIC. THIS DRAWING IS BASED UPON LATEST AVAILABLE INFORMATION AND IS SUBJECT TO CHANGE WITHOUT NOTICE.



TITLE: SMART-UPS RT (SURT)
 SRT5KRMXLI + SRT192RMBP - RACK MOUNT
 INPUT: 220/230/240V, 3W (1Ø+N+G)
 OUTPUT: 220/230/240V, (6)IEC 320 C13, (4)IEC 320 C19
 BAYED ISOMETRIC VIEWS

PROJECT: DRAWING

DWG NO: SRT5KRMXLI+SRT192RMBP

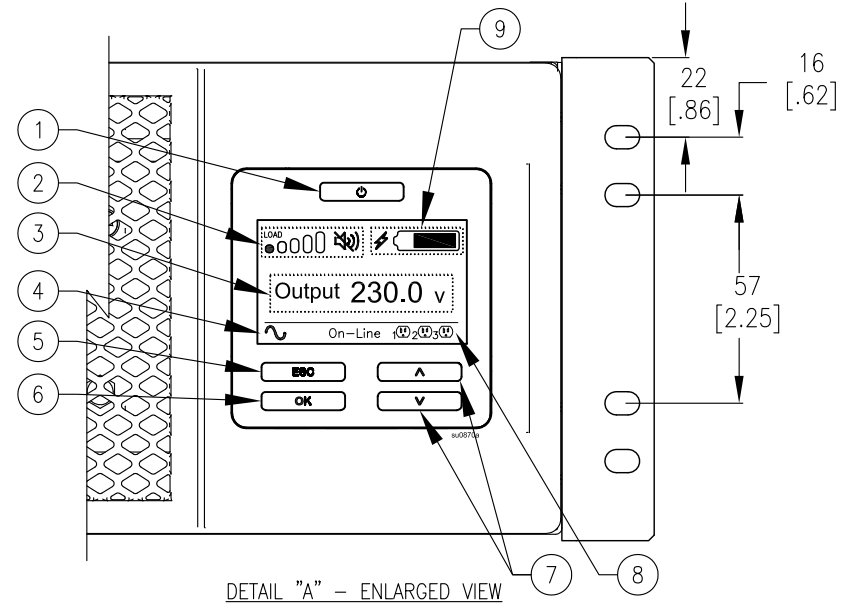
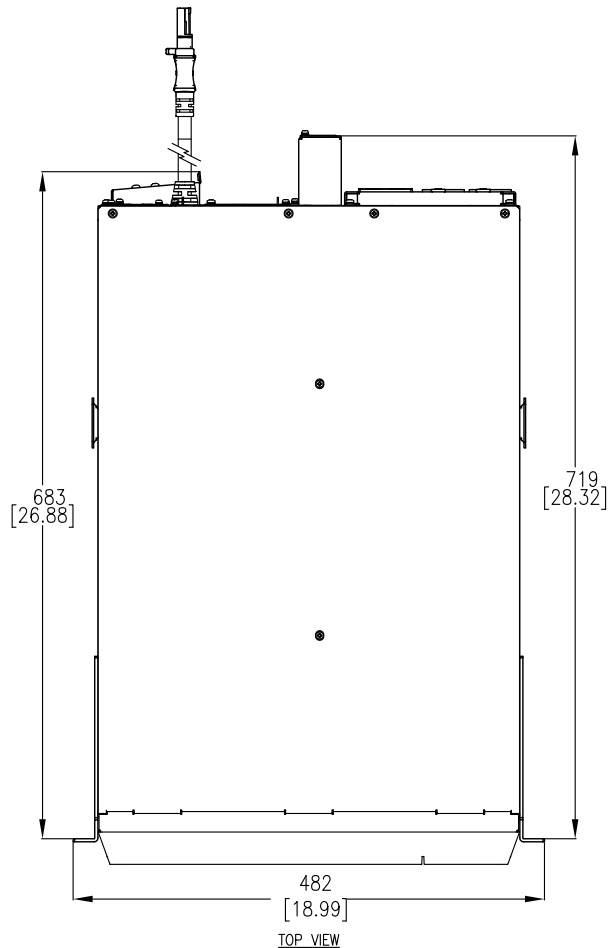
DRAWN BY: S CUNHA 28-MAY-14

ENGINEER: C KUMARSWAMY 28-MAY-14

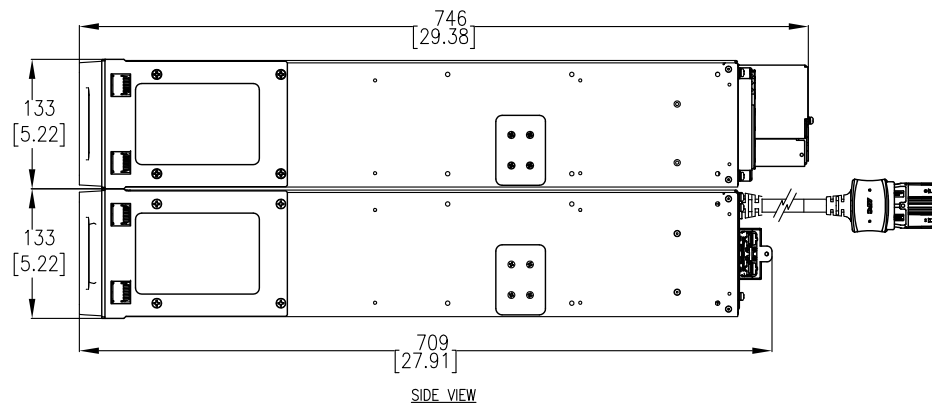
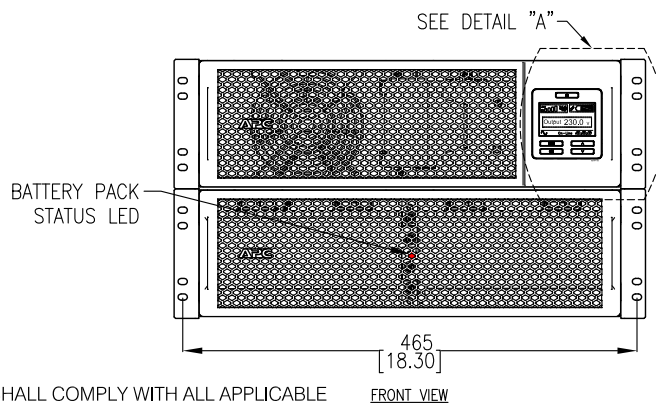
APPROVED BY: M BEG 28-MAY-14

REV 0

THIRD ANGLE PROJ



- DISPLAY INTERFACE:**
1. POWER "ON/OFF" BUTTON.
 2. LOAD ICON, DISABLE/MUTE AUDIBLE ALARM ICON.
 3. UPS STATUS INFORMATION.
 4. OPERATION MODE ICONS.
 5. "ESCAPE" BUTTON.
 6. "OK" BUTTON.
 7. "UP/DOWN" BUTTONS.
 8. CONTROLLABLE OUTLET GROUP STATUS ICONS.
 9. BATTERY STATUS ICONS.



- NOTES:**
1. INSTALLATION SHALL COMPLY WITH ALL APPLICABLE NATIONAL, STATE AND LOCAL CODES.
 2. PLEASE REFER TO PRODUCT DOCUMENTATION FOR FURTHER INFORMATION.
 3. UNLESS OTHERWISE SPECIFIED, ALL DIMENSIONS ARE IN MILLIMETERS [INCHES].
 4. WEIGHT OF UNIT IS 145.55 KG [320.20 LBS].
 5. CABLE ENTRY FROM REAR SIDE OF UNIT.

THIS DRAWING AND SPECIFICATIONS HEREIN ARE THE PROPERTY OF SCHNEIDER ELECTRIC AND SHALL NOT BE COPIED, REPRODUCED OR USED IN WHOLE OR IN PART, AS THE BASIS FOR THE MANUFACTURE OR SALE OF ITEMS WITHOUT WRITTEN PERMISSION FROM SCHNEIDER ELECTRIC. THIS DRAWING IS BASED UPON LATEST AVAILABLE INFORMATION AND IS SUBJECT TO CHANGE WITHOUT NOTICE.



TITLE: SMART-UPS RT (SURT)
SRT5KRMXLI + SRT192RMBP - RACK MOUNT
INPUT: 220/230/240V, 3W (1Ø+N+G)
OUTPUT: 220/230/240V, (6)IEC 320 C13, (4)IEC 320 C19
BAYED MAIN MECHANICAL

PROJECT: DRAWING

SHEET 8 of 11

DWG NO: SRT5KRMXLI+SRT192RMBP

DRAWN BY: S CUNHA 28-MAY-14

ENGINEER: C KUMARSWAMY 28-MAY-14

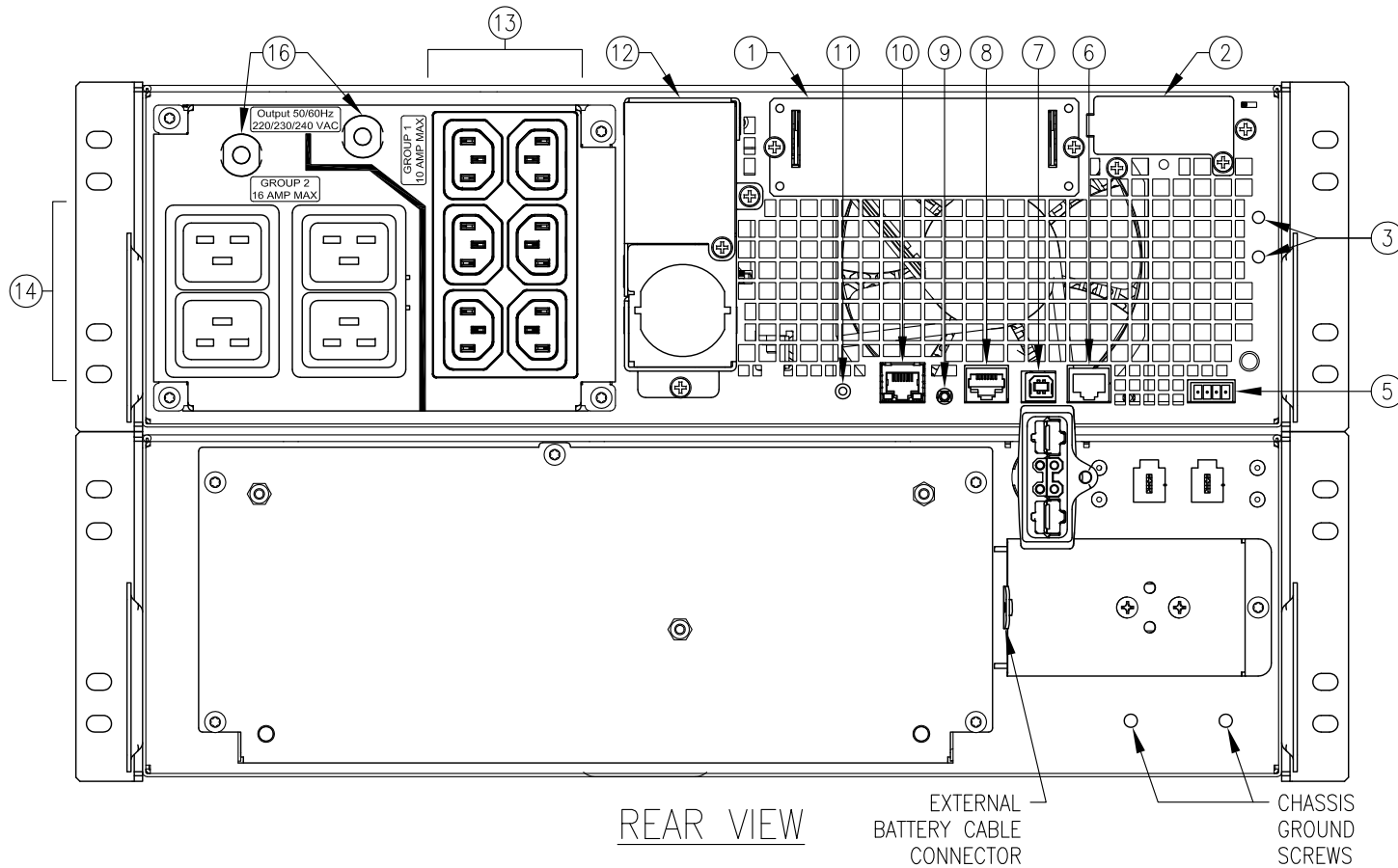
APPROVED BY: M BEG 28-MAY-14

REV 0

THIRD ANGLE PROJ

SRT5KRMXLI: (NUMBERING PER OPERATIONS MANUAL)

1. SMART SLOT
2. EXTERNAL BATTERY PACK CONNECTOR
3. CHASSIS GROUND SCREWS
5. EPO TERMINAL
6. SERIAL COM
7. USB PORT
8. UNIVERSAL I/O PORT
9. CONSOLE PORT
10. NETWORK PORT
11. RESET BUTTON
12. UPS INPUT POWER CABLE
13. CONTROLLABLE OUTLET GROUP 1
[(6) IEC 320 C13]
14. CONTROLLABLE OUTLET GROUP 2
[(4) IEC 320 C19]
16. UPS OUTLET GROUP CIRCUIT BREAKER
RESET BUTTON OR SWITCH



NOTES:

1. INSTALLATION SHALL COMPLY WITH ALL APPLICABLE NATIONAL, STATE AND LOCAL CODES.
2. PLEASE REFER TO PRODUCT DOCUMENTATION FOR FURTHER INFORMATION.

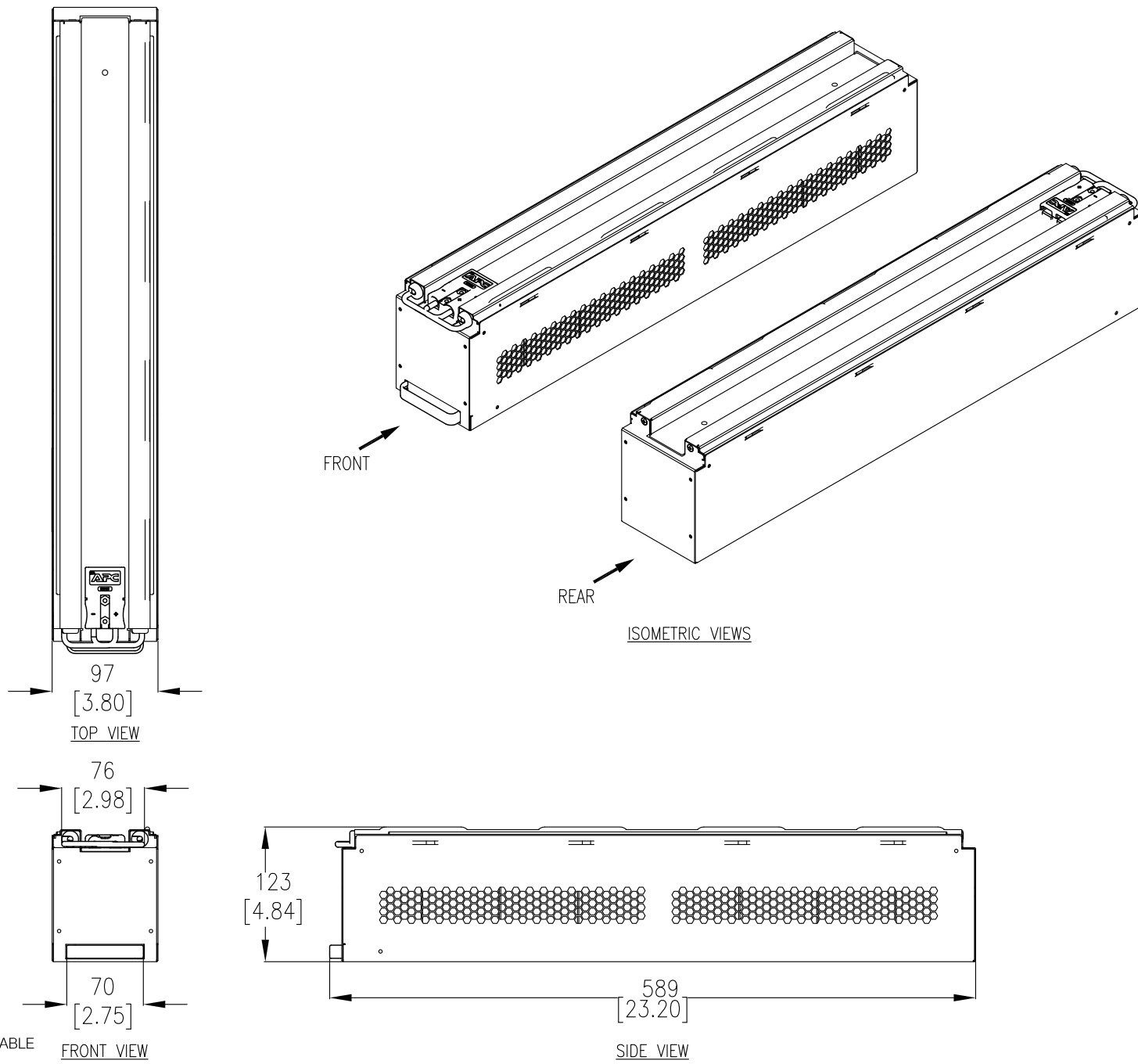
THIS DRAWING AND SPECIFICATIONS HEREIN ARE THE PROPERTY OF SCHNEIDER ELECTRIC AND SHALL NOT BE COPIED, REPRODUCED OR USED IN WHOLE OR IN PART, AS THE BASIS FOR THE MANUFACTURE OR SALE OF ITEMS WITHOUT WRITTEN PERMISSION FROM SCHNEIDER ELECTRIC. THIS DRAWING IS BASED UPON LATEST AVAILABLE INFORMATION AND IS SUBJECT TO CHANGE WITHOUT NOTICE.



TITLE: SMART-UPS RT (SURT)
SRT5KRMXLI + SRT192RMBP - RACK MOUNT
INPUT: 220/230/240V, 3W (1Ø+N+G)
OUTPUT: 220/230/240V, (6)IEC 320 C13, (4)IEC 320 C19
BAYED REAR VIEW

PROJECT: DRAWING SHEET 9 of 11

DWG NO:	SRT5KRMXLI+SRT192RMBP		REV	0
DRAWN BY:	S CUNHA	28-MAY-14	THIRD	ANGLE
ENGINEER:	C KUMARSWAMY	28-MAY-14	PROJ	
APPROVED BY:	M BEG	28-MAY-14		



NOTES:

1. INSTALLATION SHALL COMPLY WITH ALL APPLICABLE NATIONAL, STATE AND LOCAL CODES.
2. PLEASE REFER TO PRODUCT DOCUMENTATION FOR FURTHER INFORMATION.
3. UNLESS OTHERWISE SPECIFIED, ALL DIMENSIONS ARE IN MILLIMETERS [INCHES].
4. THE APC BATTERY REPLACEMENT CARTRIDGE, APCRBC140, CONSISTS OF (2) BATTERY MODULES.

THIS DRAWING AND SPECIFICATIONS HEREIN ARE THE PROPERTY OF SCHNEIDER ELECTRIC AND SHALL NOT BE COPIED, REPRODUCED OR USED IN WHOLE OR IN PART, AS THE BASIS FOR THE MANUFACTURE OR SALE OF ITEMS WITHOUT WRITTEN PERMISSION FROM SCHNEIDER ELECTRIC. THIS DRAWING IS BASED UPON LATEST AVAILABLE INFORMATION AND IS SUBJECT TO CHANGE WITHOUT NOTICE.



TITLE: SMART-UPS RT (SURT)
 SRT5KRMXLI + SRT192RMBP - RACK MOUNT
 INPUT: 220/230/240V, 3W (1Ø+N+G)
 OUTPUT: 220/230/240V, (6)IEC 320 C13, (4)IEC 320 C19
 APC REPLACEMENT BATTERY CARTRIDGE #140

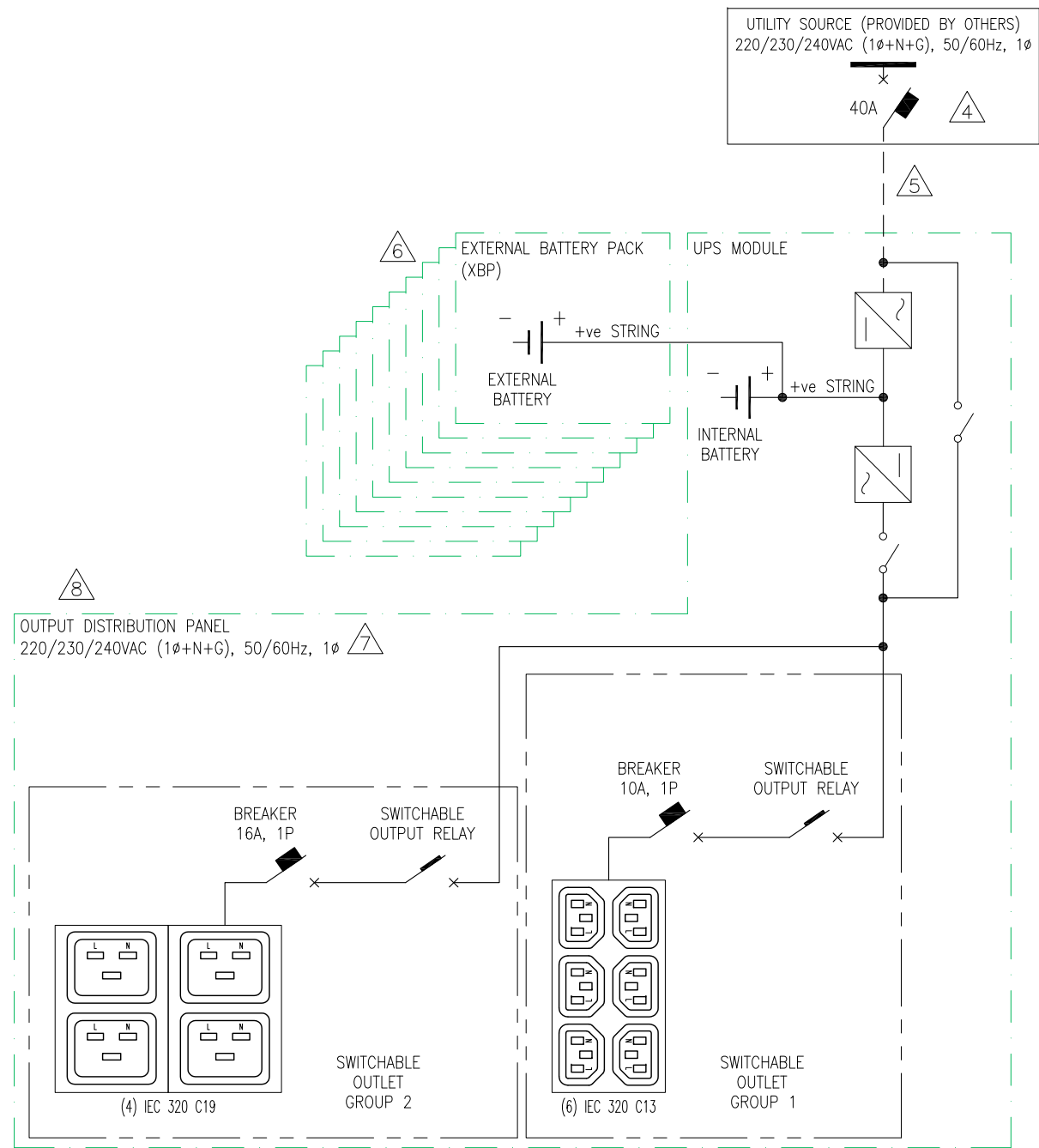
PROJECT: DRAWING SHEET 10 of 11

DWG NO: SRT5KRMXLI+SRT192RMBP

DRAWN BY: S CUNHA	28-MAY-14
ENGINEER: C KUMARSWAMY	28-MAY-14
APPROVED BY: M BEG	28-MAY-14

REV 0

THIRD ANGLE PROJ



NOTES:

1. INSTALLATION SHALL COMPLY WITH ALL APPLICABLE NATIONAL, STATE AND LOCAL CODES.
2. PLEASE REFER TO PRODUCT DOCUMENTATION FOR FURTHER INFORMATION.
3. DRAWING DEPICTS POWER SYSTEM CONNECTIONS AND IS NOT REPRESENTATIVE OF PHYSICAL LAYOUT. PLEASE REFER TO MECHANICAL DRAWINGS FOR MORE SPECIFIC PHYSICAL DATA.
- △4. UTILITY SOURCE MUST BE 1Ø, 220/230/240VAC (1Ø+N+G), 50/60Hz PROVIDED BY OTHERS.
- △5. DASHED LINES BETWEEN UNITS (-----) REPRESENT CABLING PROVIDED BY OTHERS.
- △6. ADDITIONAL EXTERNAL BATTERY PACKS (UP TO 10), CAN BE CONNECTED TO INCREASE THE RUN TIME FURTHER.
- △7. OUTPUT DISTRIBUTION PANEL CONTAINS SWITCHABLE OUTPUT GROUPS. REFER TO INSTALLATION MANUAL FOR DETAILED INSTRUCTIONS.
- △8. OPTIONAL PDU PANELS CAN BE PURCHASED SEPARATELY & INSTALLED TO PROVIDE ALTERNATIVE LOAD CONNECTIONS.

THIS DRAWING AND SPECIFICATIONS HEREIN ARE THE PROPERTY OF SCHNEIDER ELECTRIC AND SHALL NOT BE COPIED, REPRODUCED OR USED IN WHOLE OR IN PART, AS THE BASIS FOR THE MANUFACTURE OR SALE OF ITEMS WITHOUT WRITTEN PERMISSION FROM SCHNEIDER ELECTRIC. THIS DRAWING IS BASED UPON LATEST AVAILABLE INFORMATION AND IS SUBJECT TO CHANGE WITHOUT NOTICE.



TITLE: SMART-UPS RT (SURT)
 SRT5KRMXLI + SRT192RMBP - RACK MOUNT
 INPUT: 220/230/240V, 3W (1Ø+N+G)
 OUTPUT: 220/230/240V, (6)IEC 320 C13, (4)IEC 320 C19
 SINGLE-LINE DIAGRAM

PROJECT: DRAWING

DWG NO: SRT5KRMXLI+SRT192RMBP

DRAWN BY: S CUNHA 28-MAY-14
ENGINEER: C JAYARAMAN 28-MAY-14
APPROVED BY: M BEG 28-MAY-14

REV 0
PROJ ANGLE
ANGLE N/A